

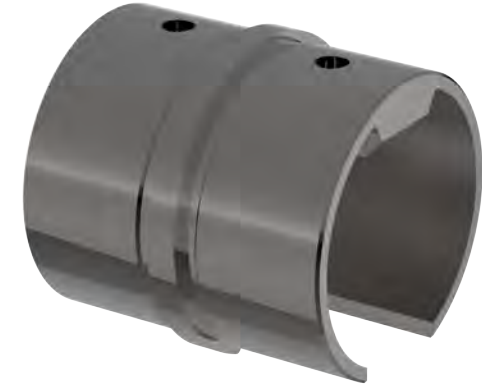
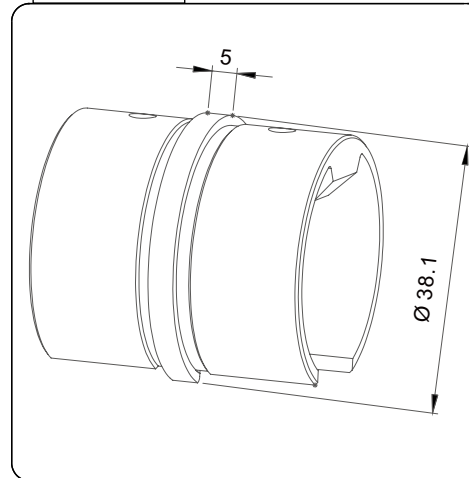
Drawing ID

180J-TR38

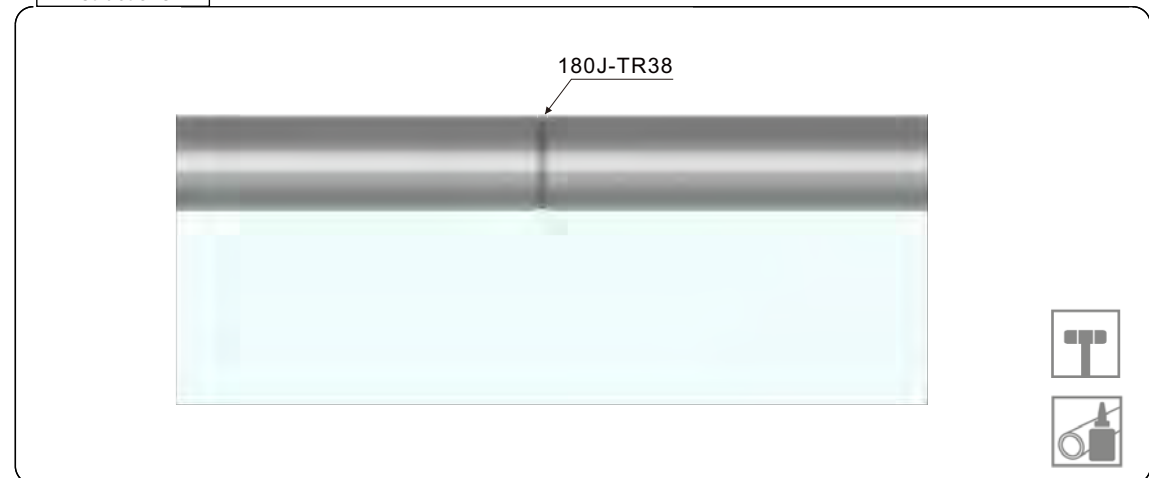
**Product Info.**

Finish	Code
Polish	180J-TR38M
Satin	1800J-TR38S
Texture Black	180J-TR38B
White	180J-TR38W
Brush Brass	180J-TR38BB

**Dimensions**



**Instructions**



**MATERIAL:**

316 Stainless Steel

**CATALOGUE AND DESCRIPTION:**

- > Railing Systems
- > Handrail & Fittings -Ø38 Round Series
- > Straight Joiner for Ø38.1mm Round Top Rail

**NOTES:**

This drawing and or specification is the property of Silver Stone Hardware Pty Ltd - and must be returned to them on request. Unauthorised use may result in Legal Action. Its contents must not be made public, nor copied, nor used directly or indirectly in any way.

**SILVER STONE HARDWARE PTYLID**

56-62 Bryant Street, Padstow, NSW 2211  
 T: (02) 9792 2955 M: 0452 526 680  
[www.silverstonehardware.com.au](http://www.silverstonehardware.com.au)  
[sales@silverstonehardware.com.au](mailto:sales@silverstonehardware.com.au)